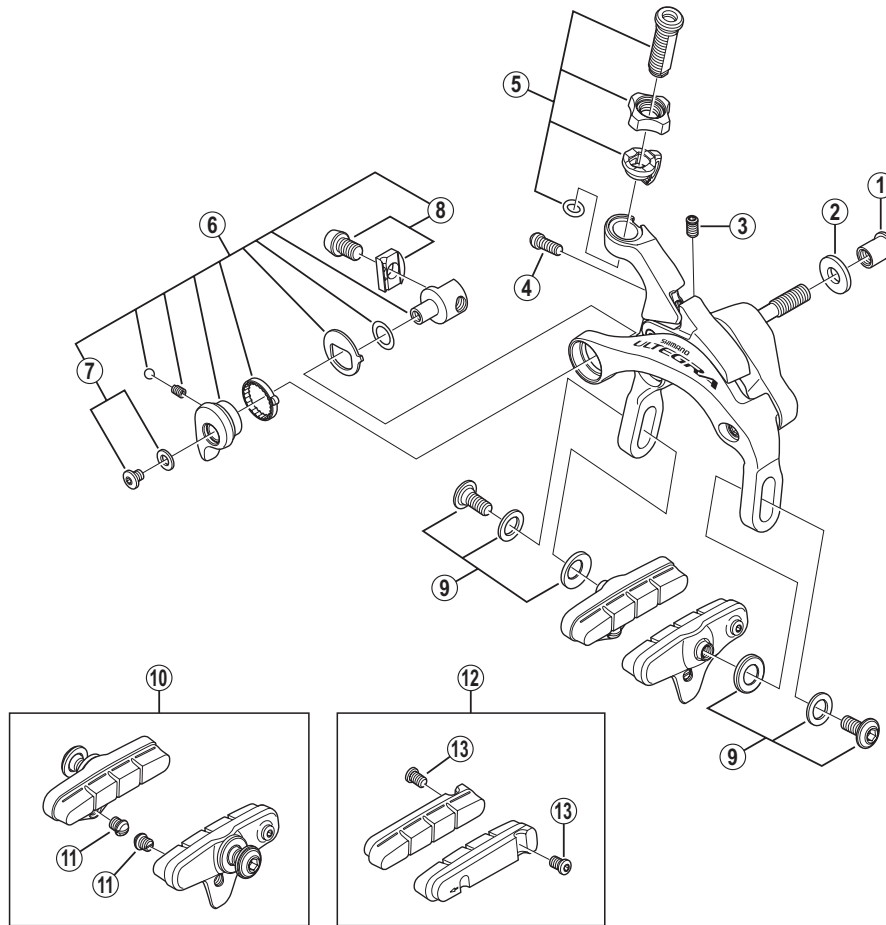


ULTEGRA Caliper Brake BR-6800



BR-9000

ITEM NO.	SHIMANO CODE NO.	DESCRIPTION	INTERCHANGEABILITY
1	Y8G615000	Pivot Nut (10.5 mm) for Front / Rear	A
	Y8G615010	Pivot Nut (12.5 mm) for Front	A
	Y85574310	Pivot Nut (18.0 mm) for Front	A
	Y8A023200	Pivot Nut (27.0 mm) for Front	A
	Y8A023210	Pivot Nut (32.0 mm) for Front	A
2	Y85850120	Washer (2 mm)	
3	Y8BW11100	Spring Adjusting Bolt	A
4	Y8FA09000	EC-Bolt (M4 x 10.2)	A
5	Y8L298010	Cable Adjusting Bolt Unit	A
6	Y8LA98010	Quick Release Assembly	
7	Y8FA98110	Quick Release Fixing Bolt (M4 x 4.8) & Washer	
8	Y8LA98020	Cable Fixing Bolt & Plate	
9	Y8G698090	Shoe Fixing Bolt Unit (M5 x 11.2)	
10	Y8LA98030	R55C4 Cartridge-Type Brake Shoe Set (Pair)	B
11	Y8FA16000	Tire Guide	A
	Y8L298060	R55C4 Cartridge-Type Brake Shoes & Fixing Bolts (Pair)	A
	Y8L298070	R55C4 Cartridge-Type Brake Shoes & Fixing Bolts (Pair) for Carbon Rim	A
12	Y8L398030	R55C4-1 Cartridge-Type Brake Shoes (-1 mm thinner shoe) & Fixing Bolts (Pair) for Carbon Rim	A
	Y8L227000	Fixing Bolt (M4 x 5.5)	A

A: Same parts.

B: Parts are usable, but differ in materials, appearance, finish, size, etc.

Absence of mark indicates non-interchangeability.

Mar.-2013-3599A

© Shimano Inc. I

Specifications are subject to change without notice.

SHIMANO